

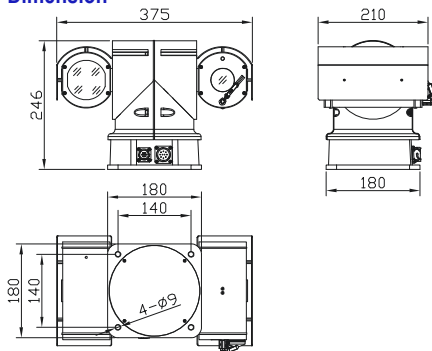
SN-TPT4230LM(II) Temperature Detection Thermal IP PTZ



Key features

- Uncooled IRFPA Microbolometer
- Temperature detection
- Effective resolution 396x264
- Sensitivity 50mK
- 25/35/50 mm lens optional
- Vision Optical Zoom 22X
- Infrared detection wavelength 8-14um
- Support 8 area temperature Detection
- Support 17 Polarity Control
- Support DVE image Enhance
- Standalone Operating

Dimension



Accessories



Vehicle Bracket



Wall Mounting Bracket

Specifications

CAMERA	
Detector Type	Long-Life,Uncooled IRFPA Microbolometer
Effective Resolution	396x264
Pixel Pitch	20um
Sensitivity	50mK
Spectral Range	8 to 14um
Temperature Response	30ms
Vision Lens	22X Optical Zoom
Thermal Lens	25mm,35mm,50mm optional
Focus	Manual
FOV(Fixed Lens)	14.6°×11°/10.5°×7.8°/7.3°×5.5°
Fixed Lens Recognition Distance (Body)	220/300/450M
Fixed Lens Recognition Distance(Vehicle)	400/600/800M
IMAGE	
Video Compression	H.264 High/Main/Baseline Profile, MJPEG
Bit Rate (CBR/VBR)	100kb-6000kb,500kb-12Mb
Audio Compression	G.711 ,RAW_PCM,NONE
Thermal Resolution	D1/30fps
Vision Resolution	1080P to QCIF
Stream	Black-Heat /White-Heat/Rainbow/Iron-Red up to 17 modes
Image Color Mode	Yes
DVE Image Enhance	Yes
3D Noise Reduce	Auto/Manual/External
Image Correction	Horizontal /Vertical /Horizontal+Vertical
Image Overturn	H.264 High/Main/Baseline Profile, MJPEG
NETWORK	
Network Protocols:	IPv4/v6,RTSP/RTP/RTCP,TCP/UDP,HTTP,DHCP,DNS,FTP,DDNS,PPP OE,SMTP,SIP
Alarm Trigger	Temperature Alarm,MotionDetection,Networkdisconnect,Diskalarm,I/O alarm
RTSP Video	Standard RFC2326, Support QuickTime / VLC Player.
Security	User security authentication, Reset, Hardware WatchDog
Web Language	English, Chines
System Compatibility	Onvif
INTERFACE	
Ethernet	1 Ethernet (10/100 Base-T) RJ-45 Connector
Audio I/O	Optional
Alarm I/O	Optional
RS485	Yes
BNC Output	Yes
Reset Button	Yes(built-in)
Edge Storage	Micro SD/SDHC slot ,Max 32GB
GENERAL	
Power Supply	DC9-DC36V ,AC24V optional
Power Consumption	30W(MAX)
OperatingTemperature	-25℃~+55℃
Ingress Protection	IP66
Approvals	CE / FCC
Product Dimensions	210x246x375mm
Product Weight	10kg