

SN-IPS56/30CDR/ZSD12

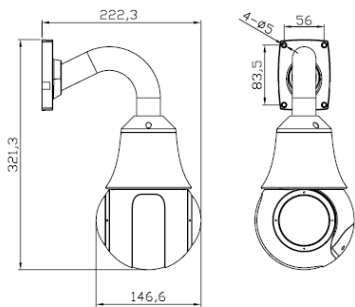
3.0MP Network IR Mini Speed Dome



Key features

- 1/2.8" Progressive Scan CMOS
- 12X Optical Zoom, 16X Digital Zoom
- 2048(H) × 1536(V)/25fps
- Multiple Streams
- IR Range 100m
- Low bitrate ,Excellent low light performance
- 3D DNR,dWDR,ICR,De-fog

Dimension



Accessories



Specifications

Model	SN-IPS56/30CDR/ZSD12	SN-IPS56/30CDR
CAMERA		
Image Sensor	1/2.8" Progressive Scan CMOS	
Min. illumination	Color 0.01Lux; B&W 0.001Lux; IR ON 0 Lux	
Day & Night	ICR, Auto/Color/B&W	
Shutter Speed	1/1-1/10000s	
Auto Iris	Auto/Manual	
Wide Dynamic Range	dWDR	
Digital Noise Reduction	2D/3D, Auto/Manual	
Lens	SUNELL 12X Module ,4.7~56.4mm	
Digital Zoom	16X	
FOV	69.7° ~ 7.56°	
IR LED	6 pcs	
IR Range	100m	
Pan/Tilt	Pan 0-360° continuously ,Tilt -10-90°	
Pan/Tilt Speed	Pan: 0.01-180° /s ,Tilt 0.01-90° /s , Preset Speed: Pan 180° /s, Tilt 90° /s	
3D Position	YES	
Coordinate Display	YES	
Preset/Tour/Scan/Track	300/12/12/6	
IMAGE		
Video Compression	H.264 High/Main/Baseline Profile, MJPEG	
Bit Rate (CBR/VBR)	Main stream: 500kbps~12Mbps;Sub stream: 100kbps~4Mbps	
Audio Compression	G.711 ,RAW_PCM	
Max.Resolution	2048(H) × 1536(V)/25fps	
Stream	Stream1 2048(H) × 1536(V) Stream 2 1080P/720P/D1/CIF/QCIF/VGA/QVGA/640x360	
Image Setting	Rotate Mode,Saturation,Brightness,Contrast,Sharpness	
HLC	Yes	
ROI	Yes	
Defog	Yes	
NETWORK		
Network Protocols:	IPv4/IPv6,RTSP/RTP/RTCP,TCP/UDP, HTTPS, DHCP, DNS, DDNS, PPPoE, SMTP	
Alarm Trigger	Motion,Instrusion,Line Crossing,Tamper,Network disconnect,Disk alarm,I/O alarm	
RTSP Video	Standard RFC2326, Support QuickTime / VLC Player.	
Security	User security authentication, Reset, Hardware WatchDog	
Web Language	English, Chinese,Polish,Italian,Portuguese,Spanish.(Sunell Brand)	
System Compatibility	Onvif,CGI	
INTERFACE		
Ethernet	I1 Ethernet (10/100 Base-T) RJ-45 Connector	
Audio I/O	1ch Audio In,1ch Audio Out	
Alarm I/O	2ch Alarm In,1ch Alarm Out	
RS485	N/A	
BNC Output	N/A	
Reset Button	YES(Built-In)	
Edge Storage	Micro SD/SDHC/SDXC slot(Built-in),Max 64GB	
GENERAL		
Power Supply	Standard DC12V/POE+, Optional AC24V	
Power Consumption	MAX 25W	
OperatingTemperature	Starting Temperature: -30 °C~ 60 °C (-22 °F ~ 140 °F) Working Temperature: -40 °C ~ 60 °C (-40 °F ~ 140 °F)	
Operating Humidity	0% - 90% RH	
Protection	IP66,TVS4000V,IK10	
Approvals	CE / FCC	
Product Dimensions	321.3x222.3x146.6mm	