



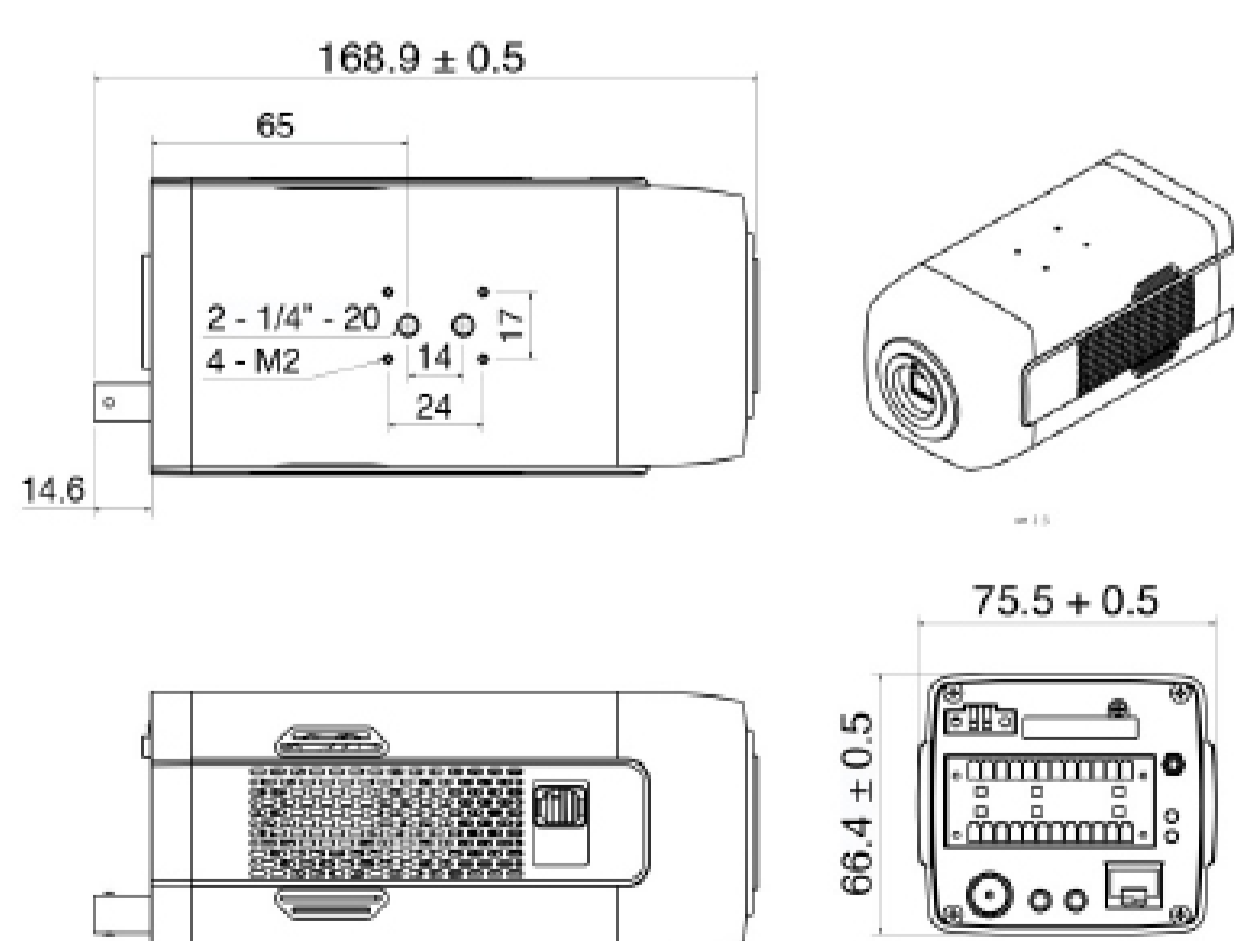
Features

- 1 box-type camera for panoramic view mode and to locate targets
- Up to 3 PTZ cameras to track and zoom-in on individual targets
- Tracking algorithm built into camera
- PTZ tracks within large open spaces
- High accuracy multi-target tracking
- High security virtual fencing zone
- Up to 60 moving targets
- Up to 10,000 m² coverage
- High-speed target switching
- Automatic target capture and characteristic recognition
- SDK support

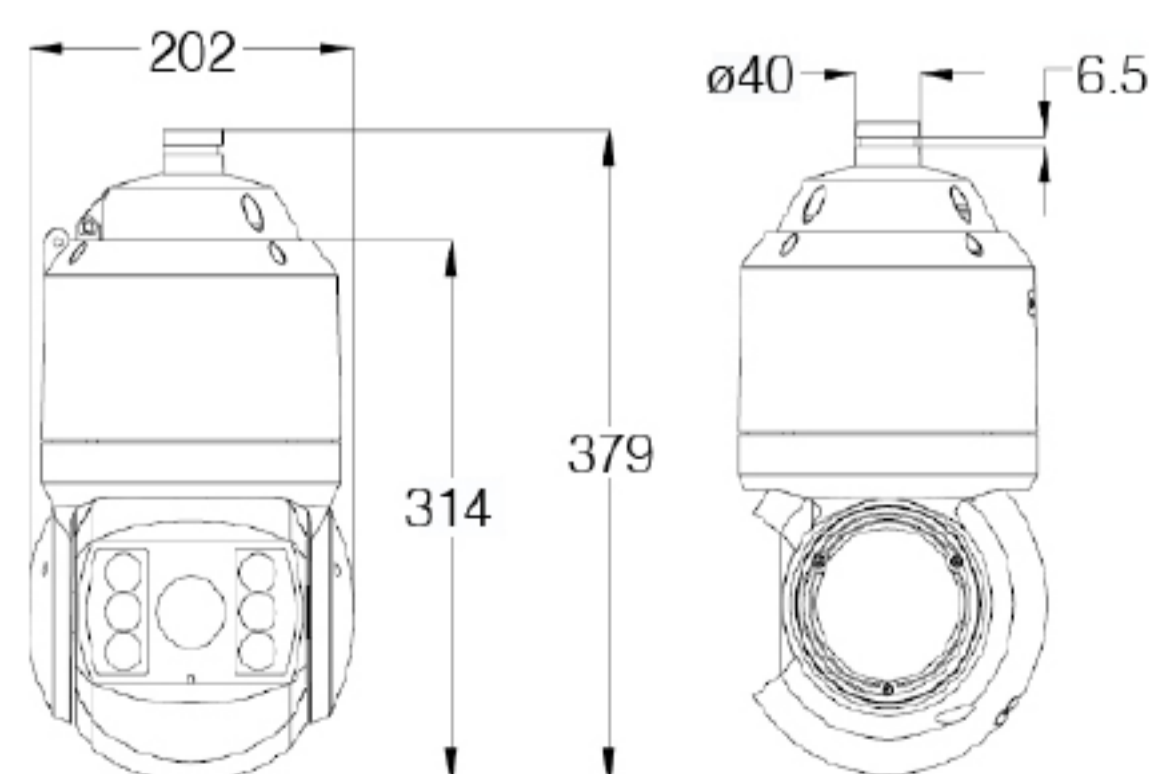
Dimensions

Unit: mm

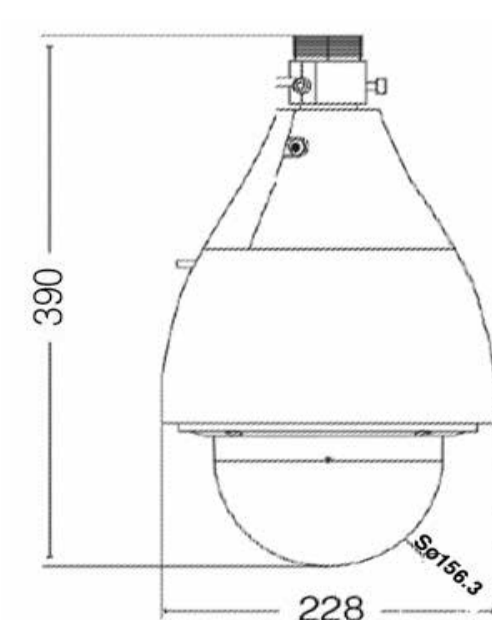
IPC121-BI5N



IPC425-i020-N



IPC421-i020-N1



Specifications

Model	IPC121-Bi5N
Camera	
Image Sensor	1/1.9" Progressive Scan CMOS
Pixels	2.0 Megapixel
Min. Illumination	Color: 0.002lux @ (F1.2, AGC ON) B/W: 0.0002lux @ (F1.2, AGC ON)
Shutter Speed	1/7.5 ~ 1/16,000s
Day / Night	Auto (ICR) / Color / B/W
S/N Ratio	>60dB
White Balance	Auto / Manual
Gain Control	Auto / Manual
Backlight Compensation	Off / BLC / HLC
Lens	
Mount Type	C / CS
Focal Length	3.6 ~ 10mm @ F1.5 manual varifocal lens
Video	
Compression	H.264
Image Resolution	Main stream: 1080p Secondary stream: D1
Frame Rate	Main stream: 1080p@25fps Secondary stream: D1@25fps
Bitrate	32kbps ~ 16Mbps
Bitrate Control	VBR / CBR
Multi-stream	Supported
Caption	Date and time / Alarm / Customized
Video Freeze	Supported
ROI	Supported
Digital Noise Reduction	3D noise reduction
Guard Zone	
Guard Zone Level	up to 3 levels, up to 8 zones per level
Regional Shield	up to 8 shield areas
Guard Scheme	Disable / Always / Scheduled
Alarm Caption	Customized alarm caption supported
Intelligent Tracking	
Distance	up to 120m (Lock target)
Target Number	up to 60 targets simultaneously
Tracking Mode	Automatic / Semi-automatic
PTZ Camera Model	IPC421-i020-N1 / IPC425-i020-N supported
PTZ Camera Number	1 ~ 3 supported
Tracking Target Number	up to 3 simultaneously depending on the number of PTZ camera
Target Tracked Time	Minimum 5s / customized
Network	
Network Protocols Supported	TCP/IP, UDP, HTTP, DHCP, DNS/DDNS, RTP/RTCP, RTSP, PPPoE, FTP, VSIP, UPnP, 802.1x, NAT, QoS, SMTP, IPv4, IPv6 (optional)
User Interface	IPC Control (IE, Firefox, Chrome)
Max. User Access	Max. 10 users (includes 2 internal)
Application Programming	ONVIF (Profile S), GB/T 28181-2011, API, CGI
Automatic Network Replenishment (ANR)	Supported
Interfaces	
Ethernet	10/100M, RJ45 interface
Audio In / Out	1 x Line in / 1 x Line out
Control	3 x RS485, 1 x RS232
Alarm In / Out	2 x Input / 1 x Output
Video Out	1 x BNC, 1.0V [p-p] / 75Ω
Memory Slot	SD card slot, supports up to 128GB
Environmental	
Operating Temperature	-40°C ~ 70°C / -40°F ~ 158°F
Operating Humidity	10% ~ 95%
Electrical	
Power	12V DC ± 10% / 2A (Power adapter included)
Power Consumption	Max. 20W
Mechanical	
Weight	0.65kg / 1.4lb (Gross Weight)
Dimensions	168.9 x 75.5 x 66.4mm / 6.65" x 2.98" x 2.62"

Model	IPC425-i020 -N
Camera	
Image Sensor	1/2.8" Progressive Scan CMOS
Pixels	2.0 Megapixel
Min. Illumination	Color: 0.005lux @ (F1.4, AGC ON) B/W: 0.0005lux @ (F1.4, AGC ON)
Shutter Speed	1 ~ 1/4,000s
Day / Night	Auto (ICR) / Color / B/W
S/N Ratio	>52dB
White Balance	Auto / Manual
Gain Control	Auto / Manual
Backlight Compensation	Off / BLC / WDR
Lens	
Focal Length	4.4 ~ 132mm, 30x
Zoom Speed	Approx. 3s (Optical)
Angle of View	63.4° ~ 2.3° (Wide~Tele)
Minimum Object Distance	300 ~ 1500mm (Wide~Tele)
Max. Aperture Ratio	F1.4 (Wide) / F4.6 (Tele)
Focus Control	Auto / Manual / Semi-Automatic
Infrared	
IR LED	12 pcs IR LED Array
IR Distance	120 ~ 180m
IR Intensity	Automatically adjust according to zoom ratio
Pan and Tilt	
Pan / Tilt Range	360° Endless / -15° ~ 90°
Pan / Tilt Speed	Pan manual speed: 0.1° ~ 200°/s; Pan preset speed: 220°/s Tilt manual speed: 0.1° ~ 150°/s; Tilt preset speed: 200°/s
Proportional Zoom	Pan / Tilt speed can be adjusted automatically according to zoom multiples
Preset	256
Power-off Memory	Power-off memory / Power-on recovery
Auto Guard	Supported
PT Limit	Manual / Scan / Pan
3D Positioning	PTZ control with mouse click and drag
Wiper	Supported
Video	
Compression	H.264
Image Resolution	Main stream: 1080p Secondary stream: D1
Frame Rate	Main stream: 1080p@25fps Secondary stream: D1@25fps
Bitrate	32kbps ~ 16Mbps
Bitrate Control	VBR / CBR
Multi-stream	Supported
Caption	Date and time / Alarm / Direction / Customized
Motion Detection	Supported
Video Freeze	Supported
ROI	Supported
Digital Noise Reduction	3D noise reduction
Image Flip	Flip / Mirror
Recognitive Functions	
Target Capturing Mode	Automatic
Captured Picture No.	1 ~ 5
Target Characters	Type / Time of appear / Time of left / Direction / Color / Speed level / Size level
Network	
Network Protocols Supported	TCP/IP, UDP, HTTP, DHCP, DNS/DDNS, RTP/RTCP, RTSP, PPPoE, FTP, VSIP, UPnP, 802.1x, NAT, QoS, SMTP, IPv4, IPv6 (optional)
User Interface	IPC Control (IE, Firefox, Chrome)
Max. User Access	Max. 10 users (include 2 internal)
Application Programming	ONVIF (Profile S), GB/T 28181-2011, API, CGI
Automatic Network Replenishment (ANR)	Supported
Alarm	
Alarm Triggers	Network disconnect / Motion detection
Alarm Events	Alarm report / Text overlay / External output / Email notice
Interfaces	
Ethernet	10/100M, RJ45 interface
Audio In / Out	1 x Line in / 1 x Line out
Control	1 x RS485
Alarm In / Out	4 x Input / 2 x Output
Video Out	1 x BNC, 1.0V [p-p] / 75Ω
Memory Slot	SD card slot, support up to 128GB
Environmental	
Operating Temperature	-40°C ~ 70°C / -40°F ~ 158°F
Operating Humidity	10% ~ 95%
Protection Level	IP66, TVS 6000V lightning protection, surge protection and voltage transient protection
Electrical	
Power	24V AC / 4A (Power adapter included)
Power Consumption	Max. 60W (Heater on & IR on)
Mechanical	
Weight	8kg / 17.6lb (Gross Weight)
Dimensions	Φ214 x 379mm / Φ8.43" x 14.92"

Model	IPC421-i020 -N1
Camera	
Image Sensor	1/2.8" Progressive Scan CMOS
Pixels	2.0 Megapixel
Min. Illumination	Color: 0.01lux @ (F1.4, AGC ON) B/W: 0.001lux @ (F1.4, AGC ON)
Shutter Speed	1 ~ 1/4,000s
Day / Night	Auto (ICR) / Color / B/W
S/N Ratio	>53dB
White Balance	Auto / Manual
Gain Control	Auto / Manual
Backlight Compensation	Off / BLC / WDR
Lens	
Focal Length	4.7 ~ 94mm, 20x
Zoom Speed	Approx. 3s (Optical)
Angle of View	54.1° ~ 2.9° (Wide~Tele)
Minimum Object Distance	300 ~ 1500mm (Wide~Tele)
Max. Aperture Ratio	F1.6 (Wide) / F3.5 (Tele)
Focus Control	Auto / Manual / Semi-Automatic
Pan and Tilt	
Pan / Tilt Range	360° Endless / 0° ~ 90°
Pan / Tilt Speed	Pan manual speed: 0.1° ~ 250°/s; Pan preset speed: 450°/s Tilt manual speed: 0.1° ~ 150°/s; Tilt preset speed: 350°/s
Proportional Zoom	Pan / Tilt speed can be adjusted automatically according to zoom multiples
Preset	256
Power-off Memory	Power-off memory / Power-on recovery
Auto Guard	Supported
PT Limit	Manual / Scan / Pan
3D Positioning	PTZ control with mouse click and drag
Video	
Compression	H.264
Image Resolution	Main stream: 1080p Secondary stream: D1
Frame Rate	Main stream: 1080p@25fps Secondary stream: D1@25fps
Bitrate	32kbps ~ 16Mbps
Bitrate Control	VBR / CBR
Dual-streams	Supported
Caption	Date and time / Alarm / Direction / Customized
Motion Detection	Supported
Video Freeze	Supported
Digital Noise Reduction	3D noise reduction
Image Flip	Flip / Mirror
Recognitive Functions	
Target Capturing Mode	Automatic
Captured Picture No.	1 ~ 5
Target Characters	Type / Time of appear / Time of left / Direction / Color / Speed level / Size level
Network	
Network Protocols Supported	TCP/IP, UDP, HTTP, DHCP, DNS/DDNS, RTP/RTCP, RTSP, PPPoE, FTP, VSIP, UPnP, 802.1x, NAT, QoS, SMTP, IPv4, IPv6 (optional)
User Interface	IPC Control (IE, Firefox, Chrome)
Max. User Access	Max. 10 users (includes 2 internal)
Application Programming	ONVIF (Profile S), GB/T 28181-2011, API, CGI
Automatic Network Replenishment (ANR)	Supported
Alarm	
Alarm Triggers	Network disconnect / Motion detection
Alarm Events	Alarm report / Text overlay / External output / Email notice
Interfaces	
Ethernet	10/100M, RJ45 interface
Audio In / Out	1 x Line in / 1 x Line out
Control	1 x RS485
Alarm In / Out	4 x Input / 2 x Output
Video Out	1 x BNC, 1.0V [p-p] / 75Ω
Memory Slot	SD card slot, supports up to 128GB
Environmental	
Operating Temperature	-40°C ~ 70°C / -40°F ~ 158°F
Operating Humidity	10% ~ 95%
Protection Level	IP67, TVS 6000V lightning protection, surge protection and voltage transient protection
Electrical	
Power	24V AC / 3A (Power adapter included)
Power Consumption	Max. 45W (Heater on & IR on)
Mechanical	
Weight	6kg / 13.2lb (Net Weight)
Dimensions	Φ228 x 390mm / Φ8.98" x 15.35"