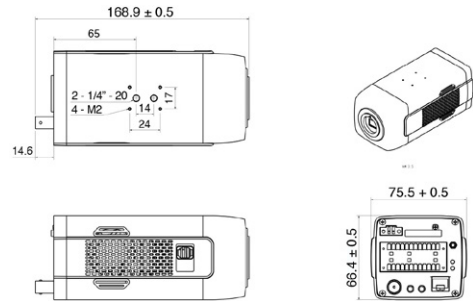


Recognitive Tracking System

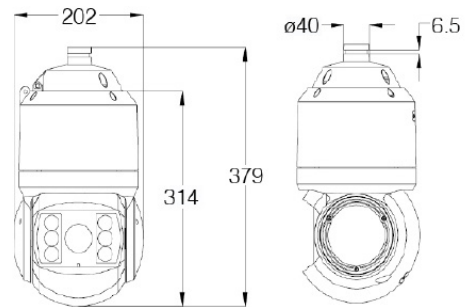


Dimensions Units: mm

IPC121-BI5N



IPC425-i020-N



Features

- 1 box-type camera for panoramic view mode and to locate targets
- Up to 3 PTZ cameras to track and zoom-in on individual targets
- Camera built-in tracking algorithm
- PTZ track for large open space
- High accuracy multi target tracking
- High security virtual fencing zone
- Up to 60 moving targets
- Up to 10000 M² coverage
- High-speed target switching
- Target capturing and characters recognizing
- SDK support

IPC421-i020-N1

